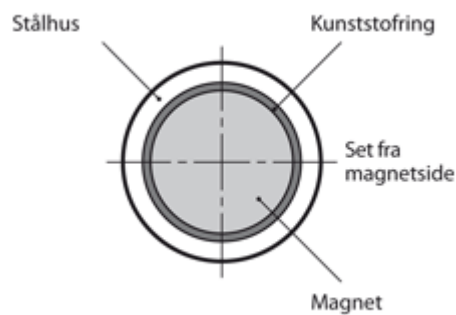


Article number: 201220457

Description: E+G Magnet - female thread GN 50.2-HF-40-M5
HF hard ferrite, 200°C, 125N

Measures



d1 = 40 +0,2/-0,1

d2 = M5x10

d3 = 10 ±0,1

h = 8 +0,4/-0,1

Holding force N = 125

Material = HF Hård ferrit - 200° C

t = 9